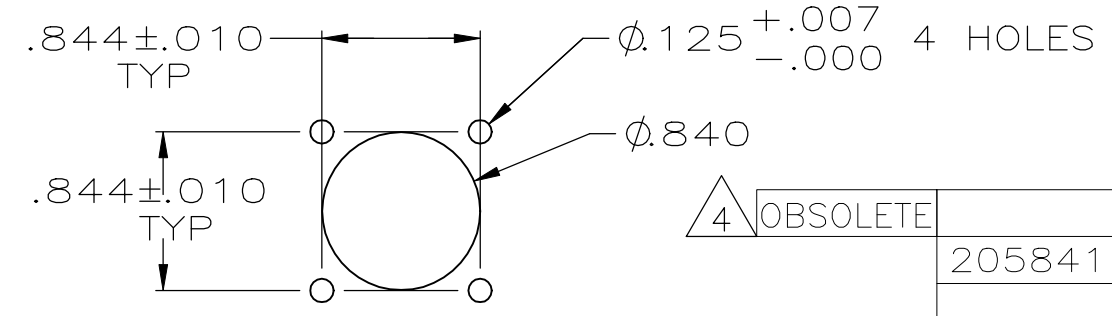
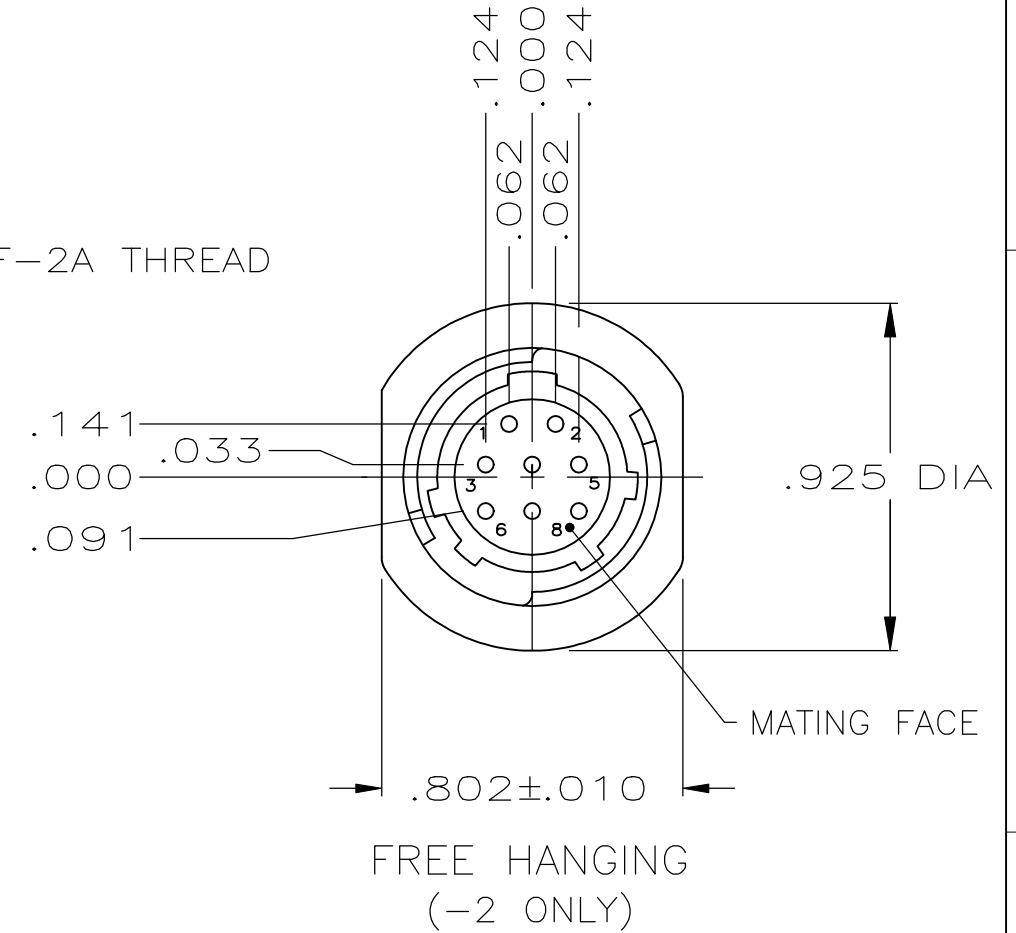
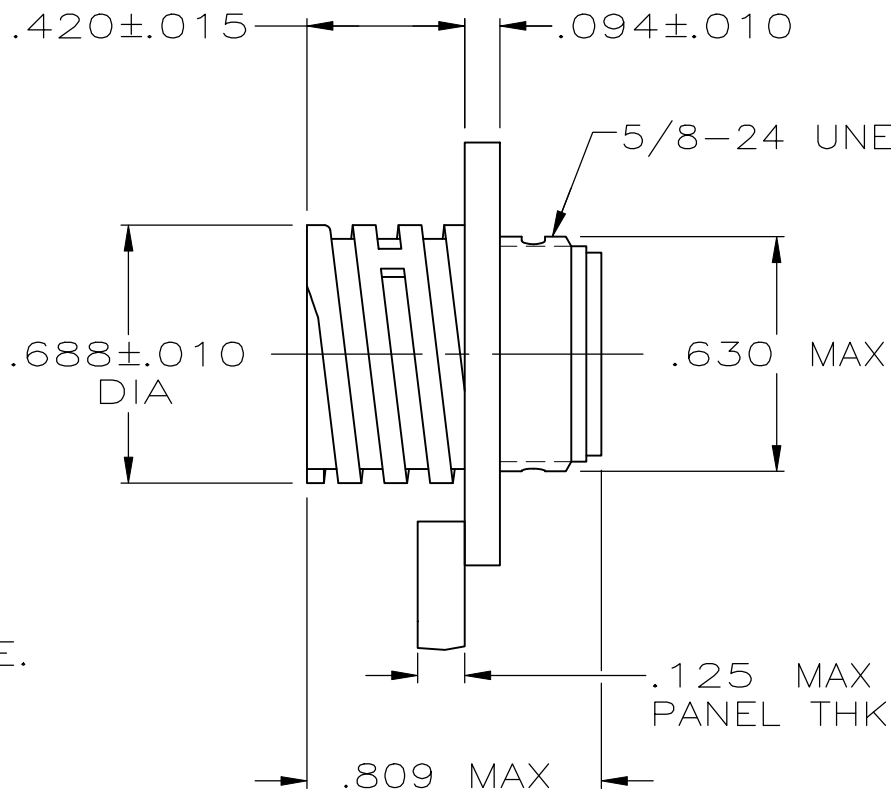
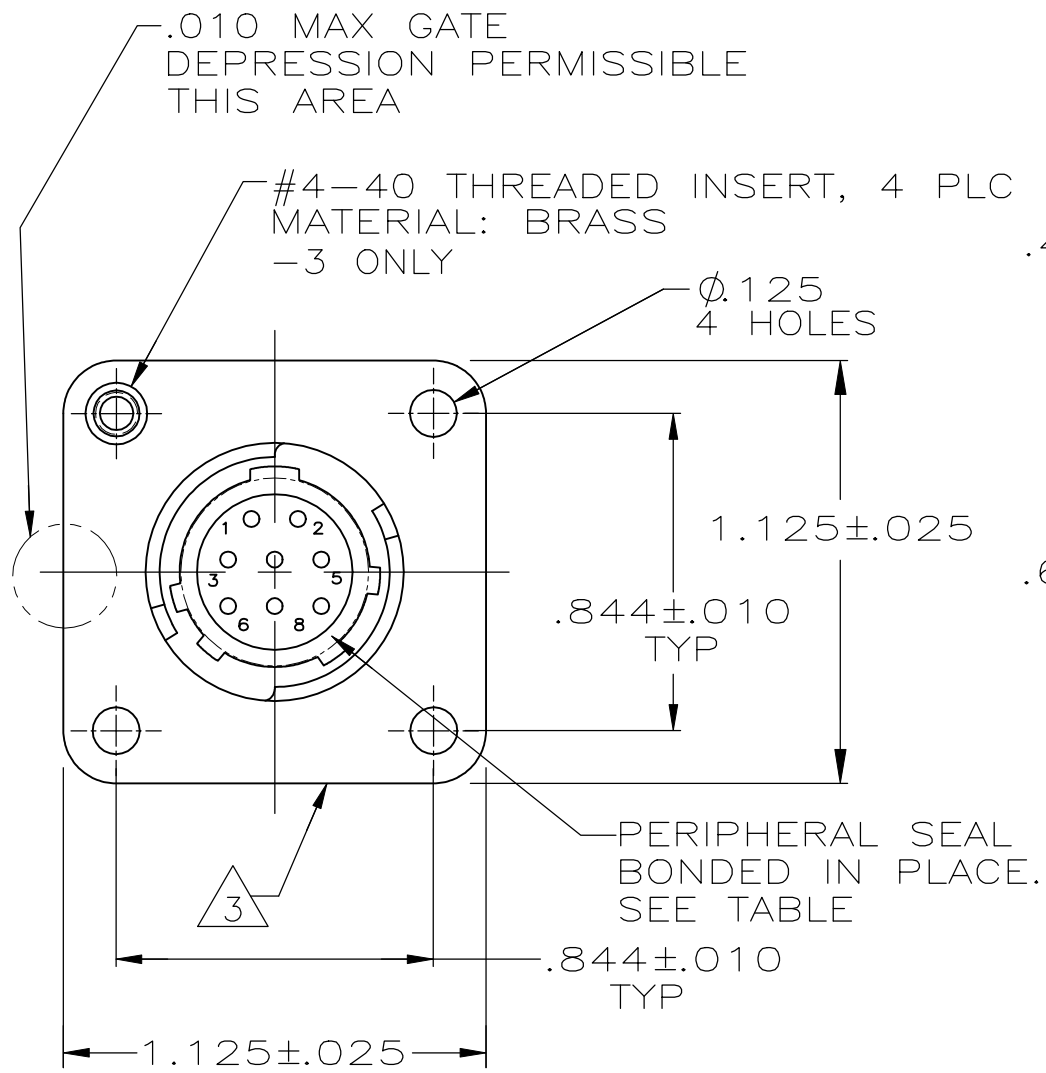


P	LTR	DESCRIPTION	DATE	DWN	APVD
	N4	REVISED PER ECO-13-019645	14DEC2013	KH	MZ
	P	REVISED PER ECO-18-000972	24JUL2018	RS	MZ



PANEL CUTOUT SCALE 1:1

4 OBSOLETE		YES	YES	205841-4
	205841-1 & 205841-3	YES	NO	205841-3
	205841-2	NO	NO	205841-2
	205841-1	NO	NO	205841-1
	PART NUMBER LOCATED ON FLANGE EDGE	THREADED INSERTS	PERIPHERAL SEAL	PART NUMBER

- 1 CONTACT CAVITIES IDENTIFIED BY CHARACTERS ON FRONT AND REAR FACES OF CONNECTOR.
- 2 WILL ACCEPT (8) SIZE 20 PIN CONTACTS.
- 3 AMP LOGO AND PART NUMBER LOCATED ON ANY FLANGE EDGE SEE CHART FOR PART NUMBER
- 4 OBSOLETE PARTS: OBSOLETE CIS STREAMLINING PER D.RENAUD/D.SINISI

THIS DRAWING IS A CONTROLLED DOCUMENT.

DWN A.STAUB BG 4/5/91
CHK W.G.LENKER 7-24-92
APVD -

STE TE Connectivity Ltd.

NAME RECEPTACLE ASSEMBLY, STD SEX, SERIES 2, 11-8, CPC

PRODUCT SPEC 108-10024
APPLICATION SPEC -

SIZE A3 CAGE CODE 00779 DRAWING NO C-205841 RESTRICTED TO -

MATERIAL THERMOPLASTIC, BLK FINISH - WEIGHT -

CUSTOMER DRAWING SCALE 2:1 SHEET 1 of 1 REV P

Mouser Electronics

Authorized Distributor

Click to View Pricing, Inventory, Delivery & Lifecycle Information:

[TE Connectivity:](#)

[205841-1](#)